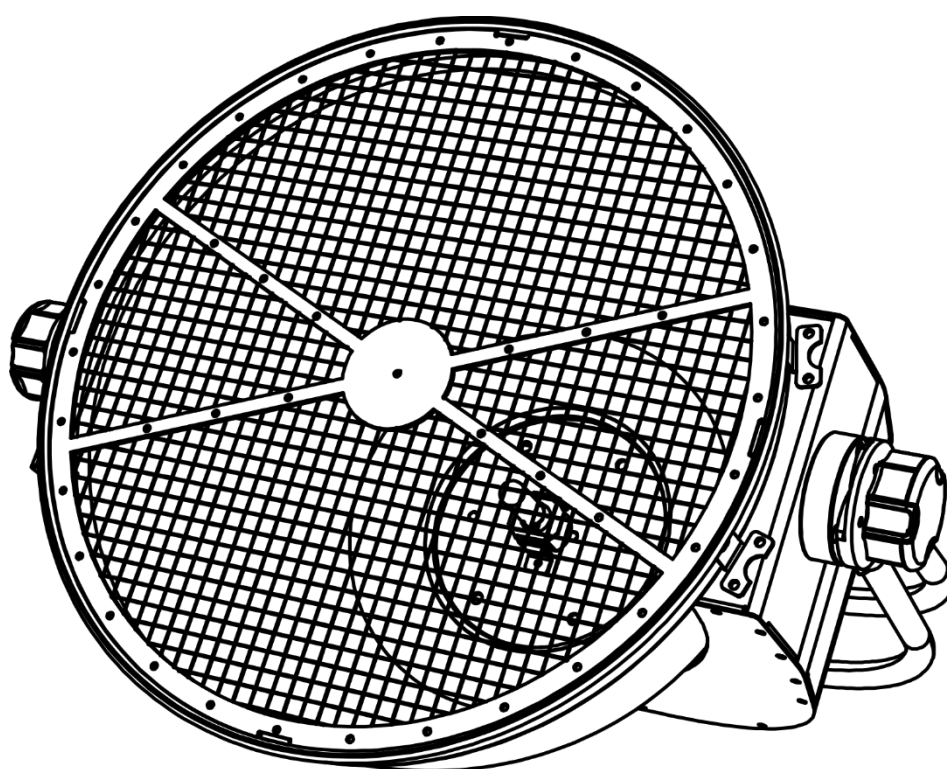




MANUAL



ENGLISH

Vintage Blaze '55

V2

Ordercode: 43310

Table of contents

Warning	2
Safety Instructions	2
Operating Determinations	4
Rigging	4
Connection with the mains.....	5
Return Procedure	6
Claims.....	6
Description of the device	7
Optional accessories.....	7
Front	7
Backside	8
Installation	8
Installing the Lamp.....	8
Set Up and Operation	12
Control Modes.....	12
One Vintage (Static Color)	12
Multiple Vintages (DMX Control)	12
Fixture Linking.....	13
Data Cabling.....	13
Control Panel.....	14
Control Mode	14
DMX Addressing.....	14
Menu Overview.....	15
Main Menu Options	16
1. DMX address.....	16
2. DMX configuration	16
3. Manual control tungsten lamp	16
4. Manual control LEDs (Red) for outer ring	17
5. Manual control LEDs (Green) for outer ring.....	17
6. Manual control LEDs (Blue) for outer ring.....	17
7. Manual control LEDs (Red) for center	17
8. Manual control LEDs (Green) for center	17
9. Manual control LEDs (Blue) for center.....	17
10. Static preset colors.....	18
11. Dimming curve tungsten lamp	18
12. Dimming curve LEDs.....	18
DMX Channels	19
1 channel	19
2 channels.....	19
4 channels.....	20
11 channels.....	20
Maintenance	21
Changing the Lamp.....	22
Troubleshooting	22
No Light	22
No Response to DMX.....	22
Product Specifications	24
Dimensions	25
Notes	26

Warning



**For your own safety, please read this user manual carefully
before your initial start-up!**

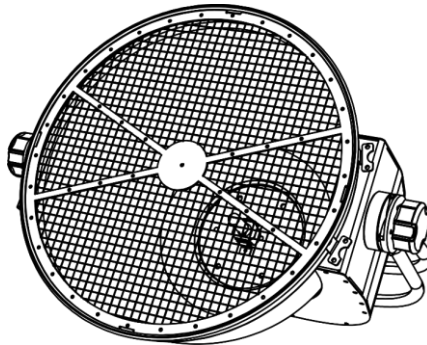


Unpacking Instructions

Immediately upon receiving this product, carefully unpack the carton and check the contents to ensure that all parts are present, and have been received in good condition. Notify the dealer immediately and retain packing material for inspection if any parts appear damaged from shipping or the carton itself shows signs of mishandling. Save the carton and all packing materials. In the event that a fixture must be returned to the factory, it is important that the fixture be returned in the original factory box and packing.

Your shipment includes:

- Showtec Vintage Blaze '55
- Powercon Power cable (1,4 m)
- User manual



LED Expected Lifespan

LEDs gradually decline in brightness over time. HEAT is the dominant factor that leads to the acceleration of this decline. Packaged in clusters, LEDs exhibit higher operating temperatures than in ideal or singular optimum conditions. For this reason, when all color LEDs are used at their fullest intensity, life of the LEDs is significantly reduced. If improving the lifespan is of higher priority, place care in providing for lower operational temperatures. This may include climatic-environmental and the reduction of overall projection intensity.



CAUTION!

**Keep this device away from rain and moisture!
Unplug mains lead before opening the housing!**



Safety Instructions

Every person involved with the installation, operation and maintenance of this device has to:

- be qualified
- follow the instructions of this manual



**CAUTION! Be careful with your operations.
With a dangerous voltage you can suffer
a dangerous electric shock when touching the wires!**



Before the initial start-up, please make sure that there is no damage caused by transportation. Should there be any, consult your dealer and do not use the device.

To maintain perfect condition and to ensure a safe operation, it is absolutely necessary for the user to follow the safety instructions and warning notes contained in this manual.

Please consider that damages caused by manual modifications to the device are not subject to warranty.

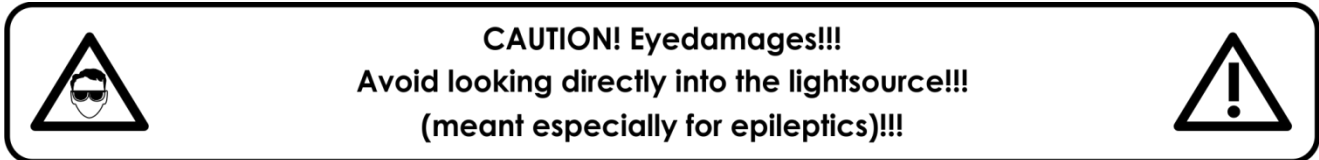
This device contains no user-serviceable parts. Refer servicing to qualified technicians only.

IMPORTANT:

The manufacturer will not accept liability for any resulting damages caused by the non-observance of this manual or any unauthorized modification to the device.

- Never let the power cord come into contact with other cables! Handle the power cord and all connections with the mains with particular caution!
- Never remove warning or informative labels from the unit.
- Never use anything to cover the ground contact.
- Never lift the fixture holding it by the projector-head, as the mechanics may be damaged. Always hold the fixture by the transport handles.
- Never place any material over the lens.
- Never look directly into the light source.
- Never leave any cables lying around.
- Never loosen the screws of the rotating gobo otherwise you risk opening of the ball bearing.
- Do not insert objects into air vents.
- Do not connect this device to a dimmer pack.
- Do not switch the device on and off in short intervals, as this will reduce the device's life.
- Do not touch the device's housing bare-handed during its operation (housing becomes very hot). Allow the fixture to cool for at least 5 minutes before handling.
- Do not shake the device. Avoid brute force when installing or operating the device.
- Only use the device indoors, avoid contact with water or other liquids.
- Only operate the fixture after having checked if the housing is firmly closed and all screws are tightly fastened.
- Only operate the device after having familiarized with its functions.
- Avoid flames and do not put close to flammable liquids or gases.
- Always keep the case closed while operating.
- Always allow a free air space of at least 50 cm around the unit for ventilation.
- Always disconnect power from the mains, when device is not used or before cleaning! Only handle the power cord holding it by the plug. Never pull out the plug by tugging the power cord.
- Make sure that the device is not exposed to extreme heat, moisture or dust.
- Make sure that the available voltage is not higher than stated on the rear panel.
- Make sure that the power cord is never crimped or damaged. Check the device and the power cord from time to time.
- If the lens is obviously damaged, it has to be replaced.
- If device was dropped or struck, disconnect mains power supply immediately. Have a qualified engineer inspect for safety before operating.
- If the device has been exposed to drastic temperature fluctuation (e.g. after transportation), do not switch it on immediately. The arising condensation water might damage your device. Leave the device switched off until it has reached room temperature.
- If your Showtec device fails to work properly, discontinue the use immediately. Pack the unit securely (preferably in the original packing material), and return it to your Showtec dealer for service.
- For adult use only. The fixture must be installed beyond the reach of children. Never leave the unit running unattended.
- Never attempt to bypass the thermostatic switch or fuses.
- For replacement use fuses of same type and rating only.

- The user is responsible for correct positioning and operating of the Vintage Blaze '55. The manufacturer will not accept liability for damages caused by the misuse or incorrect installation of this device.
- This device falls under protection class I. Therefore it is essential to connect the yellow/green conductor to earth.
- During the initial start-up some smoke or smell may arise. This is a normal process and does not necessarily mean that the device is defective.
- Repairs, servicing and electric connection must be carried out by a qualified technician.
- WARRANTY: Till one year after date of purchase.



Operating Determinations

- This device is not designed for permanent operation. Consistent operation breaks will ensure that the device will serve you for a long time without defects.
- The minimum distance between light output and the illuminated surface must be bigger than 1 meter.
- The maximum ambient temperature $t_a = 40^\circ\text{C}$ must never be exceeded.
- The relative humidity must not exceed 50 % with an ambient temperature of 40°C .
- If this device is operated in any other way than the one described in this manual, the product may suffer damages and the warranty becomes void.
- Any other operation may lead to dangers like short-circuit, burns, electric shock, crash, etc.

You endanger your own safety and the safety of others!

Rigging

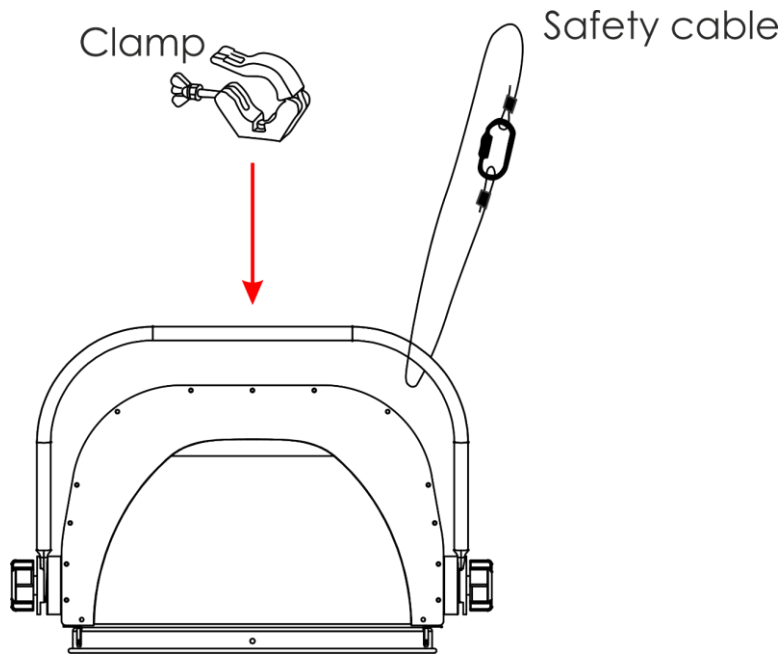
Please follow the European and national guidelines concerning rigging, trussing and all other safety issues.

Do not attempt the installation yourself !

Always let the installation be carried out by an authorized dealer !

Procedure:

- If the Vintage Blaze is lowered from the ceiling or high joists, professional trussing systems have to be used.
- Use a clamp to mount the Vintage Blaze, with the mounting bracket, to the trussing system.
- The Vintage Blaze must never be fixed swinging freely in the room.
- The installation must always be secured with a safety attachment, e.g. an appropriate safety net or safety cable.
- When rigging, derigging or servicing the Vintage Blaze, always make sure, that the area below the installation site is secured and that there are not any unauthorized people around.



The Vintage Blaze '55 can be mounted to any kind of truss with a clamp.

Improper installation can cause serious injuries and/or damage of property!

Connection with the mains

Connect the device to the mains with the power-plug.
Always check if the right color cable is connected to the right place.

International	EU Cable	UK Cable	US Cable	Pin
L	BROWN	RED	YELLOW/COPPER	PHASE
N	BLUE	BLACK	SILVER	NEUTRAL
	YELLOW/GREEN	GREEN	GREEN	PROTECTIVE GROUND

Make sure that the device is always properly connected to the earth!

Improper installation can cause serious injuries and/or damage of property!





Return Procedure



Returned merchandise must be sent prepaid and in the original packing, call tags will not be issued. Package must be clearly labeled with a Return Authorization Number (RMA number). Products returned without an RMA number will be refused. Highlite will not accept the returned goods or any responsibility. Call Highlite 0031-455667723 or mail aftersales@highlite.com and request an RMA prior to shipping the fixture. Be prepared to provide the model number, serial number and a brief description of the cause for the return. Be sure to properly pack fixture, any shipping damage resulting from inadequate packaging is the customer's responsibility. Highlite reserves the right to use its own discretion to repair or replace product(s). As a suggestion, proper UPS packing or double-boxing is always a safe method to use.

Note: If you are given an RMA number, please include the following information on a piece of paper inside the box:

- 01) Your name
- 02) Your address
- 03) Your phone number
- 04) A brief description of the symptoms

Claims

The client has the obligation to check the delivered goods immediately upon delivery for any shortcomings and/or visible defects, or perform this check after our announcement that the goods are at their disposal. Damage incurred in shipping is the responsibility of the shipper; therefore the damage must be reported to the carrier upon receipt of merchandise.

It is the customer's responsibility to report and submit claims with the shipper in the event that a fixture is damaged due to shipping. Transportation damage has to be reported to us within one day after receipt of the delivery.

Any return shipment has to be made post-paid at all times. Return shipments must be accompanied with a letter defining the reason for return shipment. Non-prepaid return shipments will be refused, unless agreed otherwise in writing.

Complaints against us must be prepared in writing or sent by fax within 10 working days after receipt of the invoice. After this period complaints will not be handled anymore.

Complaints will only then be considered if the client has so far complied with all parts of the agreement, regardless of the agreement from which the obligation is resulting.

Description of the device

Features

The Vintage Blaze '55 is a retro floodlight with high output and great effects.

- Retro design
- Input voltage: 240V AC, 50/60Hz
- Power consumption: 640W
- DMX channels: 1, 2, 4 or 11 channels
- LCD display for easy setup
- Light source LEDs: 5050 RGB LEDs
- Lampsocket: GY9.5
- Bulb: HPL-565/750 (not included)
- Dimmer: On board
- Dimmer curves: Linear, S-Curve, Square, I-Square
- Control modes: Static color, DMX
- Control protocol: DMX-512
- Strobe: 0-20Hz
- Protection rate: IP-20
- Housing: Aluminum
- Cooling: Convection
- Connections: Powercon connectors (IN/OUT), 3-pin XLR (IN/OUT), 5-pin XLR (IN/OUT)
- Dimensions: 650 x 505 x 435 mm incl. bracket (LxWxH)
- Weight: 9,75 kg

Optional accessories

[80812G](#) HPL-575 GE

[80812O](#) HPL-575 Osram

[80815G](#) HPL-575 GE

[80816G](#) HPL-750 GE

Front

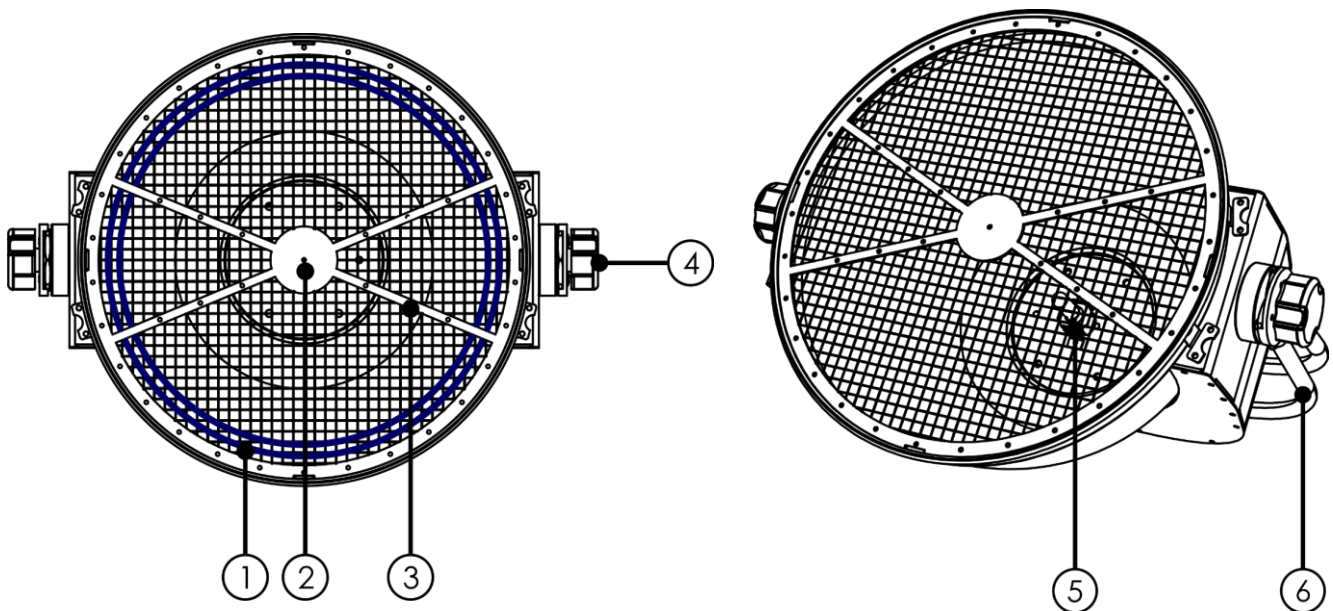


Fig. 01

- 01) 5050 RGB LED strip
- 02) 5050 RGB center LED
- 03) Lamp grill
- 04) Adjustment screw
- 05) Bulb HPL-565/750
- 06) Double mounting bracket

Backside

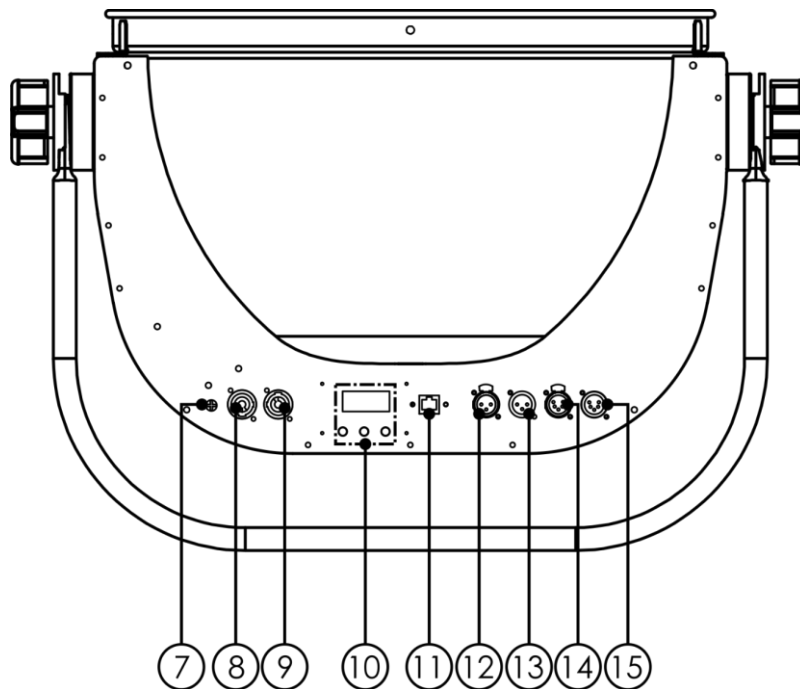


Fig. 02

- 07) Ground/Earth connection
- 08) Blue Powercon connector 100-240V IN
- 09) White Powercon connector 100-240V OUT
- 10) LCD display + menu buttons
- 11) RJ-45 connector for updating software.

Note: updating software is only allowed by a Highlite technician

- 12) 3-pin DMX signal connector OUT
- 13) 3-pin DMX signal connector IN
- 14) 5-pin DMX signal connector OUT
- 15) 5-pin DMX signal connector IN

Installation

Remove all packing materials from the Vintage Blaze '55. Check if all foam and plastic padding is removed. Connect all cables.

Do not supply power before the whole system is set up and connected properly.

Always disconnect from electric mains power supply before cleaning or servicing.

Damages caused by non-observance are not subject to warranty.

Installing the Lamp

The Showtec Vintage Blaze '55 uses the HPL-575 (ordercode [80812G](#), [80812O](#) or [80815G](#)) or HPL-750 (ordercode [80816G](#)) as manufactured by all popular manufacturers. Use only the appropriate lamp for your unit.

Note that, product versions that use other lamps, may be offered in the future. Check your product specification label for information.

Always disconnect from electric mains power supply before changing lamps.

The lamp has to be replaced when it is damaged or deformed due to the heat.

Do not install lamps with a higher wattage! Lamps with a higher wattage generate temperatures the device was not designed for.

Damages caused by non-observance are not subject to warranty.

Procedure:

- 01) Disconnect the Vintage from power before installing the lamp.
- 02) Remove the 4 screws at the top of the fixture (Fig.03).
- 03) Carefully disconnect the LED strip from the 2 connectors at the side of the lamp grill (Fig.04).
- 04) Remove the lamp grill (Fig.05).
- 05) Disconnect the lamp holder at the bottom of the fixture (Fig.06).
- 06) Remove the lamp from the box and hold it **by the base**. Read the lamp instructions. **Do not touch the lamp bulb glass**. Oil on hands shortens the lamp's lifespan. If you touch the bulb glass, wipe it off with a clean, lint free towel and rubbing alcohol. Insert the lamp (Fig.07).
- 07) Connect the lamp holder at the bottom of the fixture (Fig.08 and Fig.09).
- 08) Carefully connect the LED strip to the 2 connectors (Fig.10).
- 09) Replace the lamp grill (Fig.11) and fasten the 4 screws at the top of the fixture (Fig.12).
- 10) The Vintage is now ready to use.

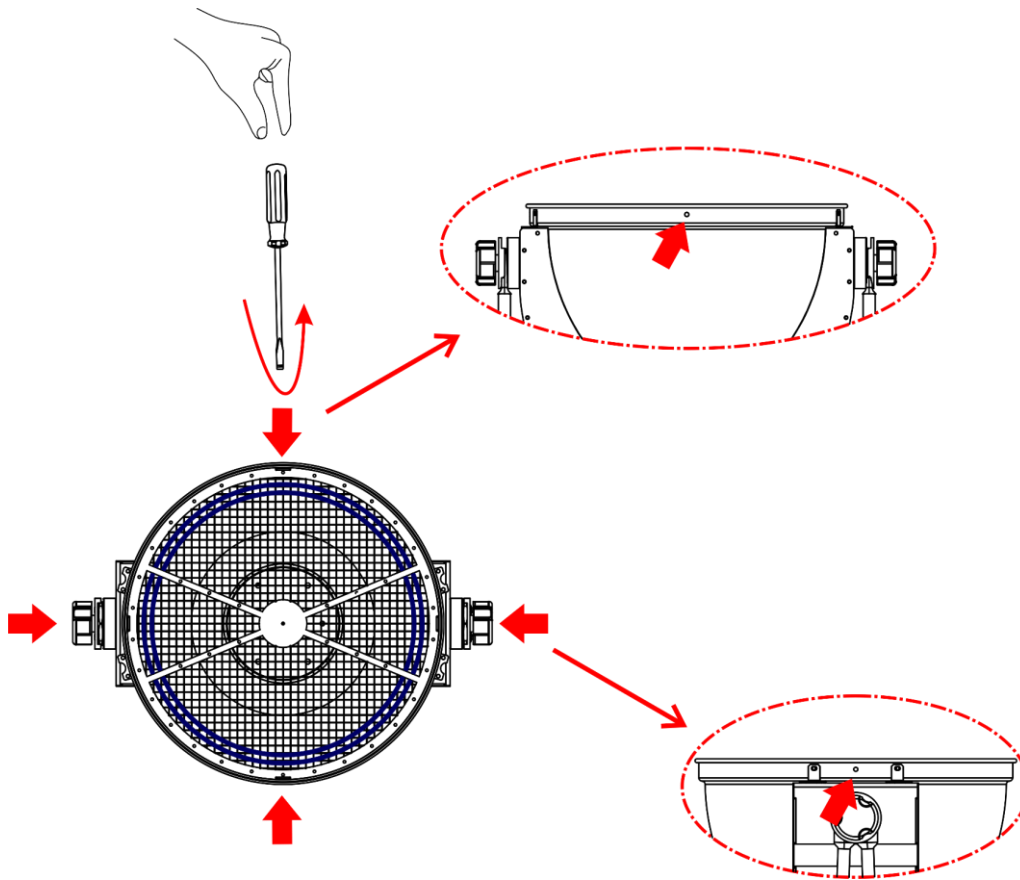


Fig. 03

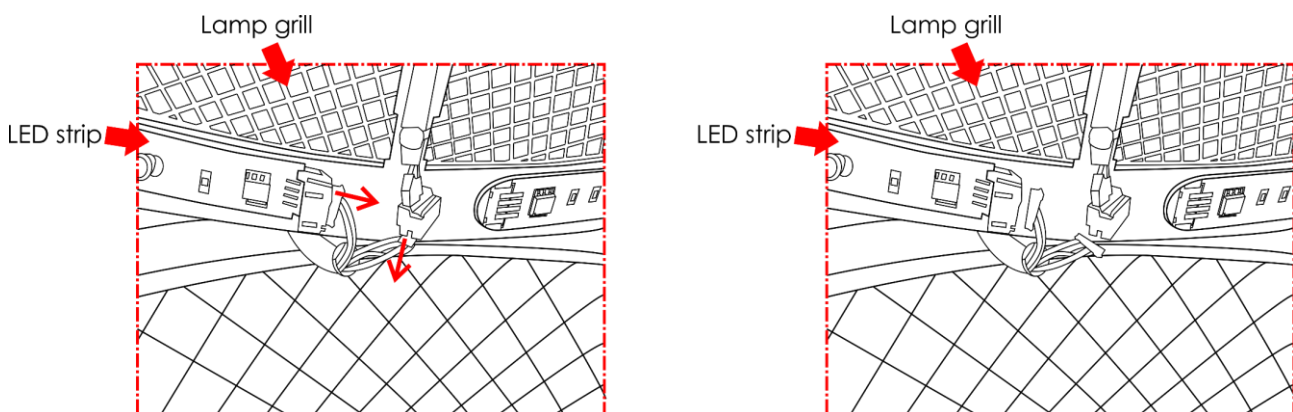


Fig. 04

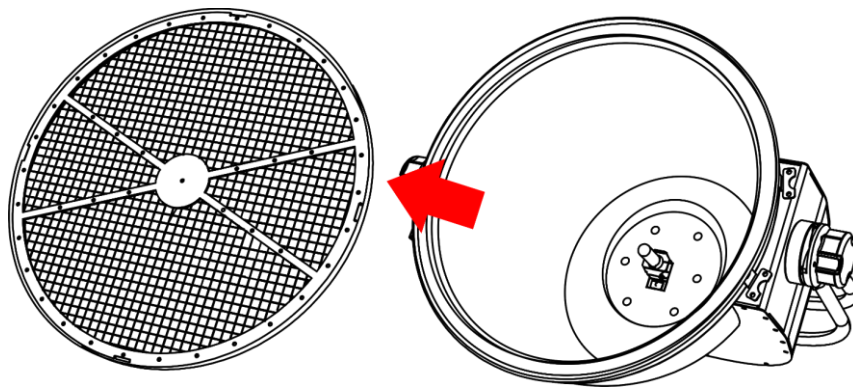


Fig. 05

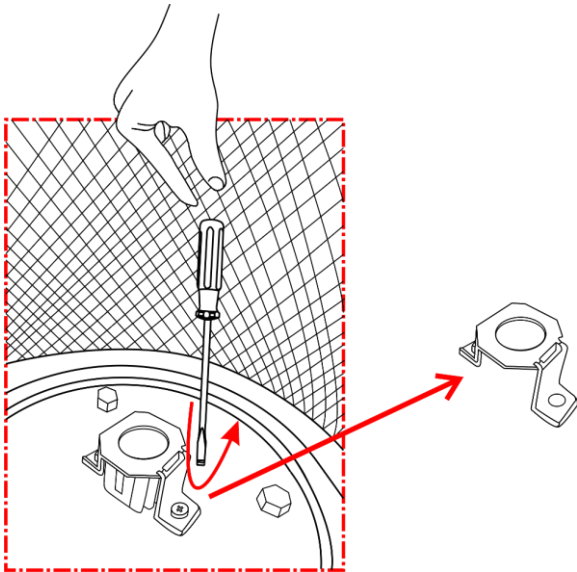


Fig. 06

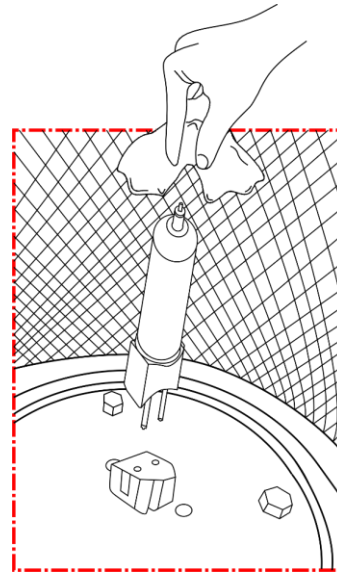


Fig. 07

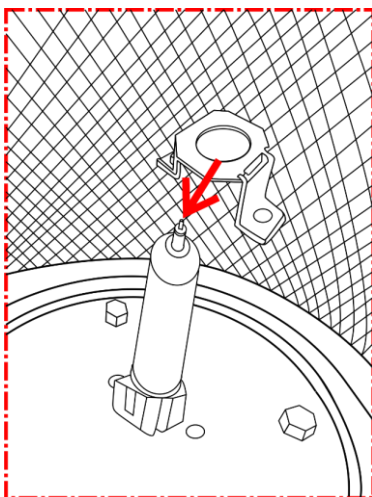


Fig. 08

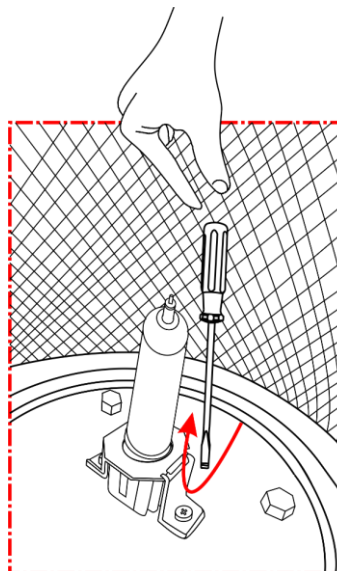


Fig. 09

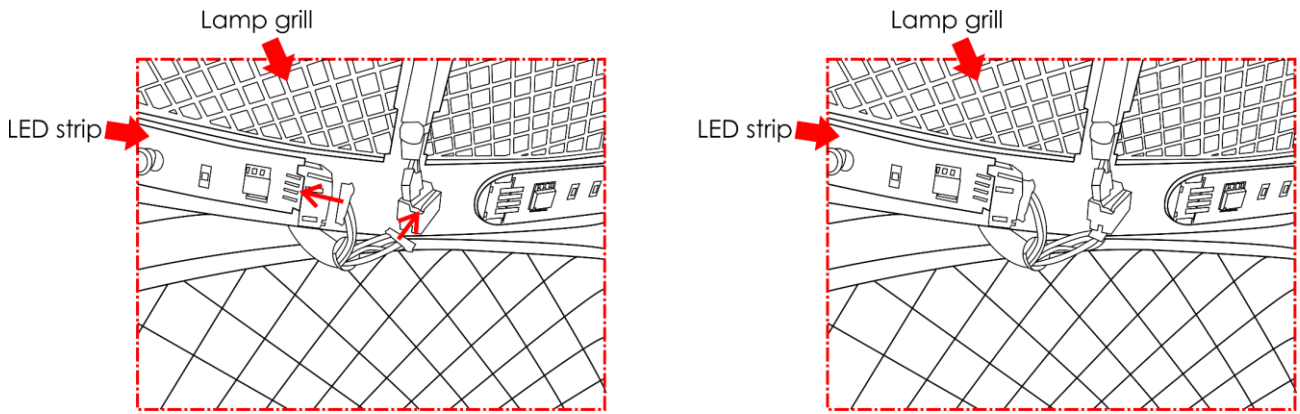


Fig. 10

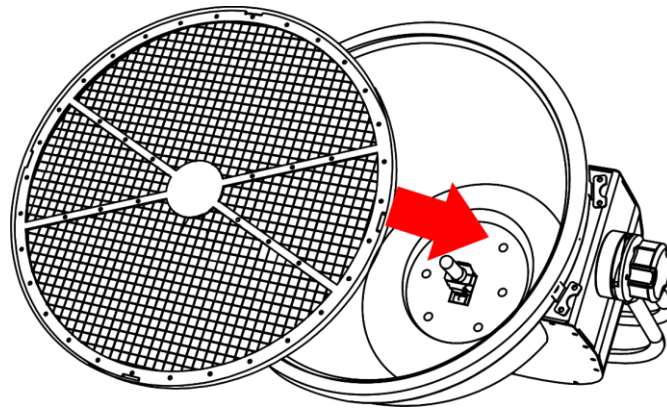


Fig. 11

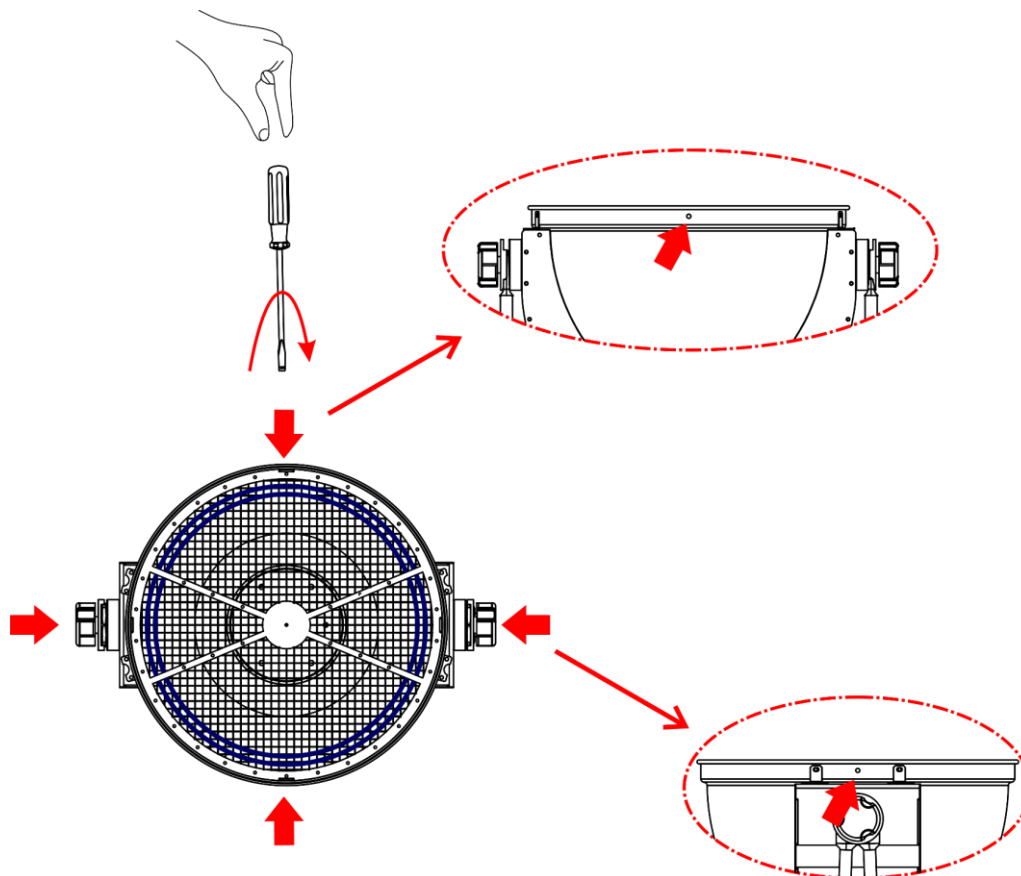


Fig. 12

Set Up and Operation

Follow the directions below, as they pertain to your preferred operation mode.

Before plugging the unit in, always make sure that the power supply matches the product specification voltage. Do not attempt to operate a 120V specification product on 230V power, or vice versa. Connect the device to the main power supply.

Control Modes

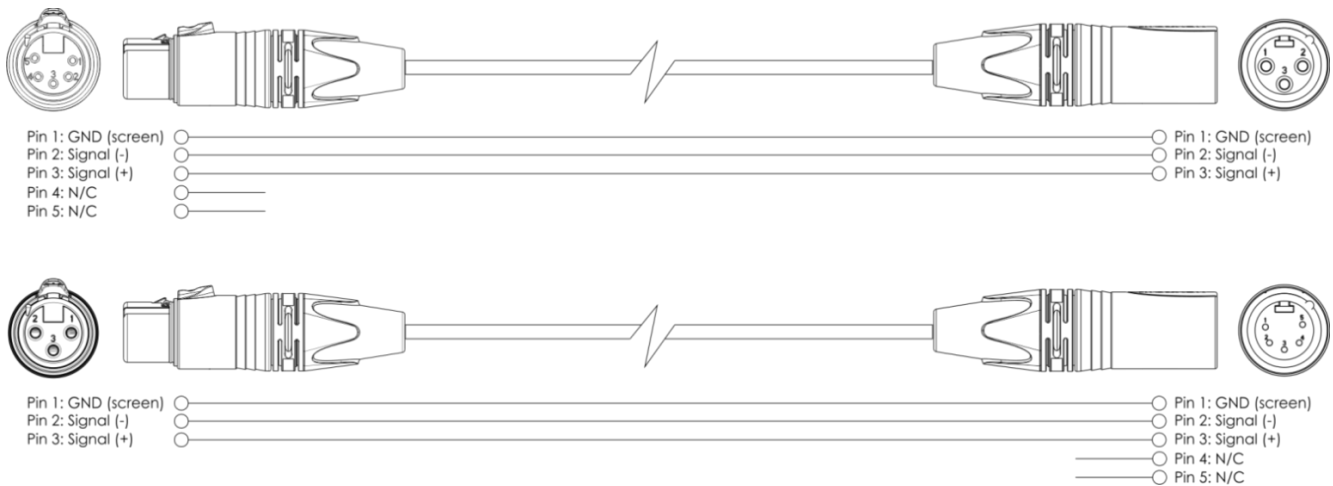
- There are 2 modes:
- Static Color (manual)
 - DMX-512 (1CH, 2CH, 4CH or 11CH)

One Vintage (Static Color)

- 01) Fasten the effect light to a firm trussing. Leave at least 0,5 meter on all sides for air circulation.
- 02) Always use a safety cable (ordercode 70140 / 70141).
- 03) Plug the end of the electric mains power cord into a proper electric power supply socket.
- 04) When the Vintage is not connected with a DMX cable, it functions as a stand-alone device. Please see pages 16 – 18 for more information about Static Color.

Multiple Vintages (DMX Control)

- 01) Fasten the effect light to a firm trussing. Leave at least 0,5 meter on all sides for air circulation.
- 02) Always use a safety cable (ordercode 70140 / 70141).
- 03) Use a 3-pin XLR cable to connect the Vintages and other devices.



- 04) Link the units as shown in Fig. 13. Connect the first unit's DMX "out" socket with the second unit's "in" socket, using a DMX-signal cable. Repeat this process to link the second, third and fourth units.
- 05) Supply electric power: Plug electric mains power cords into each unit's Powercon socket, then plug the other end of the mains power cord into proper electric power supply sockets, starting with the first unit. Do not supply power before the whole system is set up and connected properly.

Multiple Vintages DMX Set Up

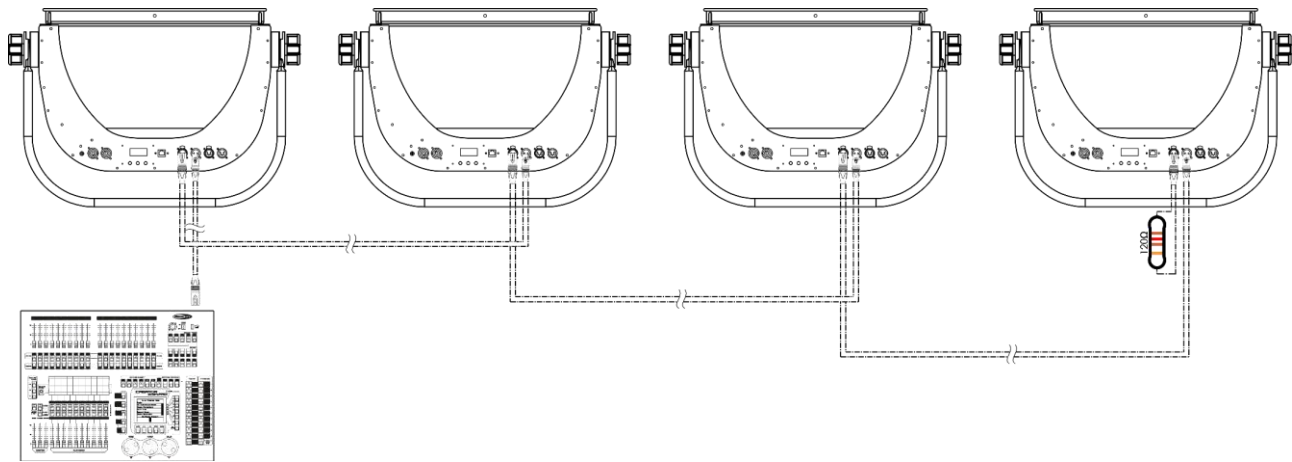


Fig. 13

Note: Link all cables before connecting electric power

Fixture Linking

You will need a serial data link to run light shows of one or more fixtures using a DMX-512 controller or to run synchronized shows of two or more fixtures set to a master/slave operating mode. The combined number of channels required by all the fixtures on a serial data link determines the number of fixtures the data link can support.

Important: Fixtures on a serial data link must be daisy-chained in a single line. To comply with the EIA-485 standard, no more than 30 devices should be connected on one data link. Connecting more than 30 fixtures on one serial data link without the use of a DMX optically isolated splitter may result in deterioration of the digital DMX signal.

Maximum recommended DMX data link distance: 100 meters
 Maximum recommended number of fixtures on a DMX data link: 30 fixtures
 Maximum recommended number of fixtures on a power link @ 240V: 3 fixtures



Data Cabling

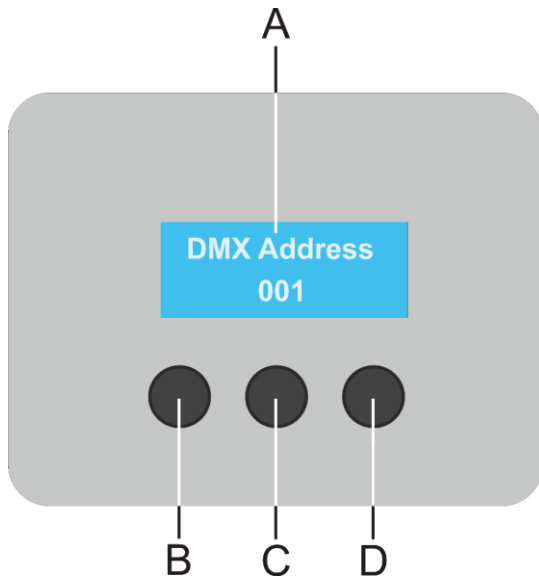
To link fixtures together, you must obtain data cables. You can purchase DAP Audio certified DMX cables directly from a dealer/distributor or construct your own cable. If you choose to create your own cable, please use data-grade cables that can carry a high quality signal and are less prone to electromagnetic interference.

DAP Audio DMX Data Cables

- DAP Audio Basic microphone cable for allround use. bal. XLR/M 3-pin > XLR/F 3-pin. **Ordercode** FL01150 (1,5 m), FL013 (3 m), FL016 (6 m), FL0110 (10 m), FL0115 (15 m), FL0120 (20 m).
- DAP Audio X-type data cable XLR/M 3-pin > XLR/F 3-pin. **Ordercode** FLX0175 (0,75 m), FLX01150 (1,5 m), FLX013 (3 m), FLX016 (6 m), FLX0110 (10 m).
- DAP Audio cable for the demanding user with exceptional audio-qualities and connector made by Neutrik®. **Ordercode** FL71150 (1,5 m), FL713 (3 m), FL716 (6 m), FL7110 (10 m).
- DAP Audio cable for the demanding user with exceptional audio-qualities and connector made by Neutrik®. **Ordercode** FL7275 (0,75 m), FL72150 (1,5 m), FL723 (3 m), FL726 (6 m), FL7210 (10 m).
- DAP Audio 110 Ohm cable with digital signal transmission. **Ordercode** FL0975 (0,75 m), FL09150 (1,5 m), FL093 (3 m), FL096 (6 m), FL0910 (10 m), FL0915 (15 m), FL0920 (20 m).
- DAP Audio DMX adapter: 3-pin/5-pin. **Ordercode** FLA30.

The Vintage Blaze '55 can be operated with a controller in **control mode** or without the controller in **stand-alone mode**.

Control Panel



- A) LCD display
- B) Menu button
- C) Up button
- D) Down button

Fig. 14

Control Mode

The fixtures are individually addressed on a data-link and connected to the controller.

The fixtures respond to the DMX signal from the controller. (When you select the DMX address and save it, the controller will display the saved DMX address, next time.)

DMX Addressing

The control panel on the back side of the device allows you to assign DMX fixture addresses, which is the first channel with which the Vintage will respond to the controller.

Please note, when you use the controller, the unit has **11** channels.

When using multiple Vintages, make sure you set the DMX addresses right.

Therefore, the DMX address of the first Vintage should be **1(001)**; the DMX address of the second Vintage should be **1+11=12 (012)**; the DMX address of the third Vintage should be **12+11=23 (023)**, etc. Please, be sure that you do not have any overlapping channels in order to control each Vintage correctly. If two or more Vintages are addressed similarly, they will work similarly.

Controlling:

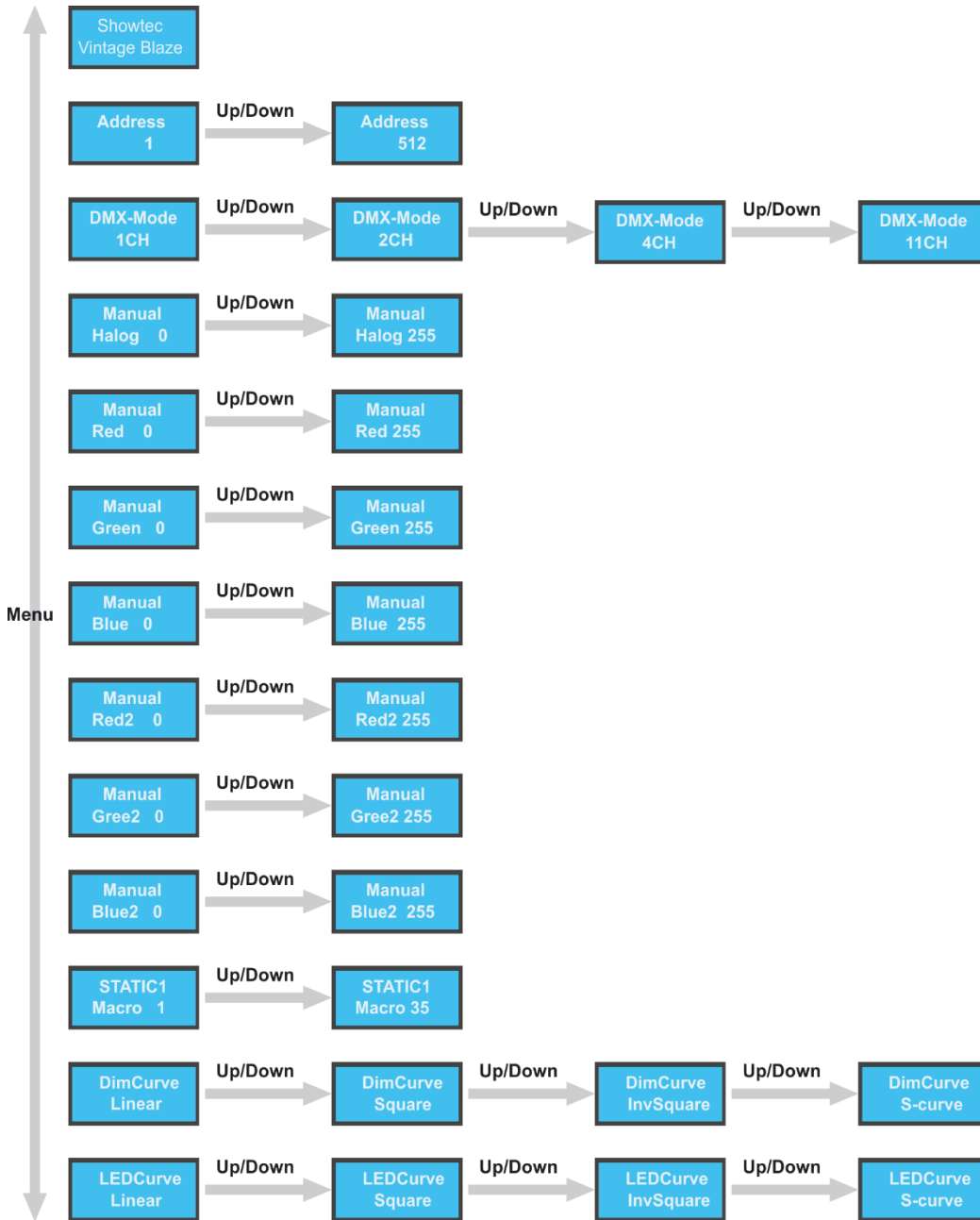
After having addressed all Vintage Blaze'55 fixtures, you may now start operating these via your lighting controller.

Note: After switching on, the Vintage will automatically detect whether DMX 512 data is received or not. If there is no data received at the DMX-input, the problem may be:

- The XLR cable from the controller is not connected with the input of the Vintage.
- The controller is switched off or defective, the cable or connector is defective, or the signal wires are swapped in the input connector.

Note: It is necessary to insert an XLR termination plug (with 120 Ohm) in the last fixture in order to ensure proper transmission on the DMX data link.

Menu Overview







Main Menu Options

Address 1	DMX address
DMX-Mode 1CH	DMX configuration
Manual Halog 0	Manual control tungsten lamp
Manual Red 0	Outer ring, manual control Red LEDs
Manual Green 0	Outer ring, manual control Green LEDs
Manual Blue 0	Outer ring, manual control Blue LEDs
Manual Red2 0	Center, manual control Red LEDs
Manual Gree2 0	Center, manual control Green LEDs
Manual Blue2 0	Center, manual control Blue LEDs
STATIC1 Macro 1	Static preset colors
DimCurve Linear	Dimming curve tungsten lamp
LEDCurve Linear	Dimming curve LEDs









1. DMX address

With this menu you can set the DMX address.

- 01) Press the **Menu** button until the display shows .
- 02) Press the **Up** and **Down** buttons to set the desired DMX address.
- 03) The adjustment range is between   .





2. DMX configuration

With this menu you can set the desired DMX configuration.

- 01) Press the **Menu** button until the display shows .
- 02) Press the **Up** and **Down** buttons to set the desired DMX configuration.
- 03) The adjustment range is between       .

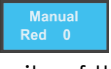


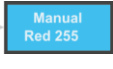
3. Manual control tungsten lamp

With this menu you can set the intensity of the tungsten lamp.

- 01) Press the **Menu** button until the display shows .
- 02) Press the **Up** and **Down** buttons to set the intensity of the bulb.
- 03) The adjustment range is between   , from minimum intensity to maximum intensity.




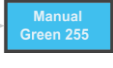
4. Manual control LEDs (Red) for outer ring

With this menu you can set the Red intensity of the LEDs.

- 01) Press the **Menu** button until the display shows .
- 02) Press the **Up** and **Down** buttons to set the intensity of the LEDs.
- 03) The adjustment range is between   , from minimum intensity to maximum intensity.


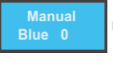

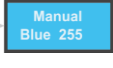
5. Manual control LEDs (Green) for outer ring

With this menu you can set the Green intensity of the LEDs.

- 01) Press the **Menu** button until the display shows .
- 02) Press the **Up** and **Down** buttons to set the intensity of the LEDs.
- 03) The adjustment range is between   , from minimum intensity to maximum intensity.

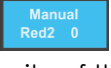
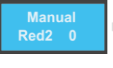

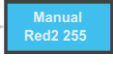
6. Manual control LEDs (Blue) for outer ring

With this menu you can set the Blue intensity of the LEDs.

- 01) Press the **Menu** button until the display shows .
- 02) Press the **Up** and **Down** buttons to set the intensity of the LEDs.
- 03) The adjustment range is between   , from minimum intensity to maximum intensity.

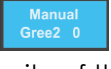
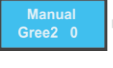

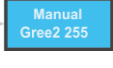
7. Manual control LEDs (Red) for center

With this menu you can set the Red intensity of the LEDs.

- 04) Press the **Menu** button until the display shows .
- 05) Press the **Up** and **Down** buttons to set the intensity of the LEDs.
- 06) The adjustment range is between   , from minimum intensity to maximum intensity.

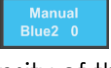
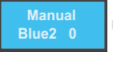

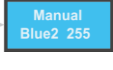
8. Manual control LEDs (Green) for center

With this menu you can set the Green intensity of the LEDs.

- 04) Press the **Menu** button until the display shows .
- 05) Press the **Up** and **Down** buttons to set the intensity of the LEDs.
- 06) The adjustment range is between   , from minimum intensity to maximum intensity.




9. Manual control LEDs (Blue) for center

With this menu you can set the Blue intensity of the LEDs.

- 04) Press the **Menu** button until the display shows .
- 05) Press the **Up** and **Down** buttons to set the intensity of the LEDs.
- 06) The adjustment range is between   , from minimum intensity to maximum intensity.






10. Static preset colors

With this menu you can choose one of the 35 preset colors.

- 01) Press the **Menu** button until the display shows .
- 02) Press the **Up** and **Down** buttons choose one of the colors.
- 03) The adjustment range is between  $\xrightarrow{\text{Up/Down}}$ .






11. Dimming curve tungsten lamp

With this menu you can adjust the dimming of the tungsten lamp by choosing a dimming curve.

- 01) Press the **Menu** button until the display shows .
- 02) Press the **Up** and **Down** buttons to choose one of the 4 curves.
- 03) The adjustment range is between  $\xrightarrow{\text{Up/Down}}$  $\xrightarrow{\text{Up/Down}}$  $\xrightarrow{\text{Up/Down}}$ .

12. Dimming curve LEDs

With this menu you can adjust the dimming of the LEDs by choosing a dimming curve.

- 01) Press the **Menu** button until the display shows .
- 02) Press the **Up** and **Down** buttons to to choose one of the 4 curves.
- 03) The adjustment range is between  $\xrightarrow{\text{Up/Down}}$  $\xrightarrow{\text{Up/Down}}$  $\xrightarrow{\text{Up/Down}}$ .

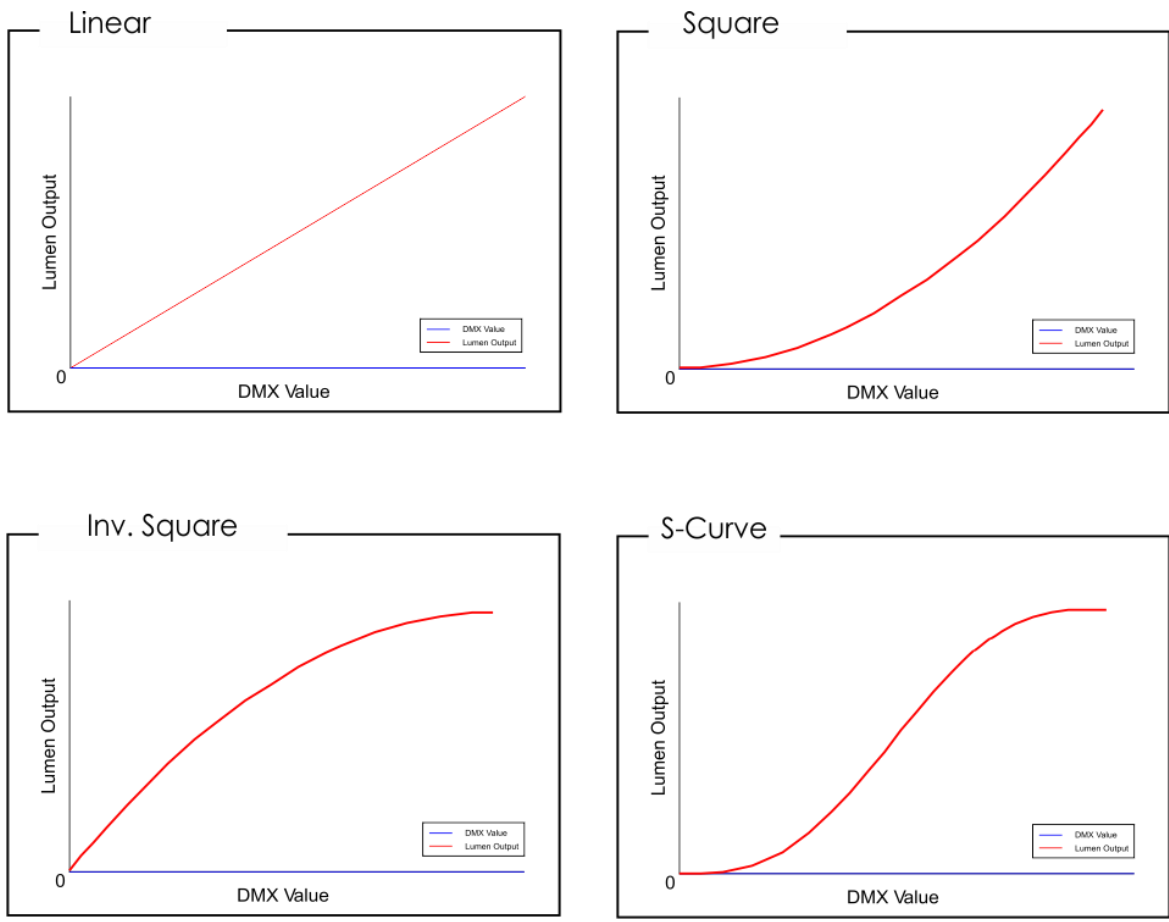


Fig.15

DMX Channels**1 channel****Channel 1 – Tungsten lamp white intensity**

0-255 Gradual adjustment White from 0 – 100%

2 channels**Channel 1 – Tungsten lamp white intensity**

0-255 Gradual adjustment White from 0 – 100%

Channel 2 – Preset colors LEDs

0-4 No function

5-11 Color 1

12-18 Color 2

19-25 Color 3

26-32 Color 4

33-39 Color 5

40-46 Color 6

47-53 Color 7

54-60 Color 8

61-67 Color 9

68-74 Color 10

75-81 Color 11

82-88 Color 12

89-95 Color 13

96-102 Color 14

103-109 Color 15

110-116 Color 16

117-123 Color 17

124-130 Color 18

131-137 Color 19

138-144 Color 20

145-151 Color 21

152-158 Color 22

159-165 Color 23

166-172 Color 24

173-179 Color 25

180-186 Color 26

187-193 Color 27

194-200 Color 28

201-207 Color 29

208-214 Color 30

215-221 Color 31

222-227 Color 32

228-234 Color 33

235-241 Color 34

242-255 Color 35

4 channels**Channel 1 – Tungsten lamp white intensity**

0-255 Gradual adjustment White from 0 – 100%

Channel 2 – Red Dimmer intensity All LEDs

0-255 Gradual adjustment Red from 0 – 100%

Channel 3 – Green Dimmer intensity All LEDs

0-255 Gradual adjustment Green from 0 – 100%

Channel 4 – Blue Dimmer intensity All LEDs

0-255 Gradual adjustment Blue from 0 – 100%

11 channels**Channel 1 – Tungsten lamp white intensity**

0-255 Gradual adjustment White from 0 – 100%

Channel 2 – Red Dimmer intensity LED strip (CH10 must be set between 1-255 )

0-255 Gradual adjustment Red from 0 – 100%

Channel 3 – Green Dimmer intensity LED strip (CH10 must be set between 1-255 )

0-255 Gradual adjustment Green from 0 – 100%

Channel 4 – Blue Dimmer intensity LED strip (CH10 must be set between 1-255 )

0-255 Gradual adjustment Blue from 0 – 100%

Channel 5 – Strobe LED strip (CH2, CH3 or CH4 and CH10 must be set between 1-255 )

0-3 No function

4-255 Strobe flash frequency, from slow to fast

Channel 6 – Red Dimmer intensity center LED (CH10 must be set between 1-255 )

0-255 Gradual adjustment Red from 0 – 100%

Channel 7 – Green Dimmer intensity center LED (CH10 must be set between 1-255 )

0-255 Gradual adjustment Green from 0 – 100%

Channel 8 – Blue Dimmer intensity center LED (CH10 must be set between 1-255 )

0-255 Gradual adjustment Blue from 0 – 100%

Channel 9 – Strobe center LED (CH5, CH6 or CH7 and CH10 must be set between 1-255 )

0-3 No function

4-255 Strobe flash frequency, from slow to fast

Channel 10 – Master Dimmer intensity

0-255 Gradual adjustment, from dark to brightest 0-100%

Channel 11 – Preset colors All LEDs (CH10 must be set between 1-255 )

0-4	No function
5-11	Color 1
12-18	Color 2
19-25	Color 3
26-32	Color 4
33-39	Color 5
40-46	Color 6
47-53	Color 7
54-60	Color 8
61-67	Color 9
68-74	Color 10
75-81	Color 11
82-88	Color 12
89-95	Color 13
96-102	Color 14
103-109	Color 15
110-116	Color 16
117-123	Color 17
124-130	Color 18
131-137	Color 19
138-144	Color 20
145-151	Color 21
152-158	Color 22
159-165	Color 23
166-172	Color 24
173-179	Color 25
180-186	Color 26
187-193	Color 27
194-200	Color 28
201-207	Color 29
208-214	Color 30
215-221	Color 31
222-227	Color 32
228-234	Color 33
235-241	Color 34
242-255	Color 35

Maintenance

The operator has to make sure that safety-related and machine-technical installations are to be inspected by an expert after every year in the course of an acceptance test.

The operator has to make sure that safety-related and machine-technical installations are to be inspected by a skilled person once a year.

The following points have to be considered during the inspection:

- 01) All screws used for installing the device or parts of the device have to be tightly connected and must not be corroded.
- 02) There may not be any deformations on housings, fixations and installation spots.
- 03) Mechanically moving parts like axles, eyes and others may not show any traces of wearing.
- 04) The electric power supply cables must not show any damages or material fatigue.

The Vintage Blaze '55 requires almost no maintenance. However, you should keep the unit clean. Otherwise, the fixture's light-output will be significantly reduced. Disconnect the mains power supply, and then wipe the cover with a damp cloth. Do not immerse in liquid. Wipe lens clean with glass cleaner and a soft cloth. Do not use alcohol or solvents.

The front lens will require weekly cleaning, as smoke-fluid tends to build up residues, reducing the light-output very quickly.

Keep connections clean. Disconnect electric power, and then wipe the DMX and audio connections with a damp cloth. Make sure connections are thoroughly dry before linking equipment or supplying electric power.

Changing the Lamp

- 01) Disconnect mains power supply. Allow the fixture to cool for at least 15 minutes before handling and replacing lamp.
- 02) Read lamp instructions.
- 03) Follow directions for installing a new lamp page 8-11.

Troubleshooting

This troubleshooting guide is meant to help solve simple problems.

If a problem occurs, carry out the steps below in sequence until a solution is found. Once the unit operates properly, do not carry out following steps.

No Light

If the light effect does not operate properly, refer servicing to a technician.

Suspect four potential problem areas as: the power supply, the lamp, the LEDs, the fuse.

- 01) Power supply. Check that the unit is plugged into an appropriate power supply.
- 02) The lamp. Replace the old lamp with a new one with the same specifications. See page 8-11 for replacing the lamp.
- 03) The LEDs. Return the Vintage Blaze to your Showtec dealer.
- 04) The internal fuse. Return the Vintage Blaze to your Showtec dealer.
- 05) If all of the above appears to be O.K., plug the unit in again.
- 06) If you are unable to determine the cause of the problem, do not open the Vintage Blaze, as this may damage the unit and the warranty will become void.
- 07) Return the device to your Showtec dealer.

No Response to DMX

Suspect the DMX cable or connectors, a controller malfunction, a light effect DMX card malfunction.

- 01) Check the DMX setting. Make sure that DMX addresses are correct.
- 02) Check the DMX cable: Unplug the unit; change the DMX cable; then reconnect to electrical power. Try your DMX control again.
- 03) Determine whether the controller or light effect is at fault. Does the controller operate properly with other DMX products? If not, take the controller in for repair. If so, take the DMX cable and the light effect to a qualified technician.

Problem	Probable cause(s)	Solution
One or more fixtures do not function at all	No power to the fixture	<ul style="list-style-type: none"> Check if power is switched on and cables are plugged in
	Internal fuse blown	<ul style="list-style-type: none"> Return the device to your Showtec dealer.
Fixtures reset correctly, but all respond erratically or not at all to the controller	The controller is not connected. 3-pin XLR Out of the controller does not match XLR Out of the first fixture on the link (i.e. signal is reversed)	<ul style="list-style-type: none"> Connect controller Install a phase reversing cable between the controller and the first fixture on the link
Fixtures reset correctly, but some respond erratically or not at all to the controller	Poor data quality	<ul style="list-style-type: none"> Check data quality. If much lower than 100 percent, the problem may be a bad data link connection, poor quality or broken cables, missing termination plug, or a defective fixture disturbing the link
	Bad data link connection	<ul style="list-style-type: none"> Inspect connections and cables. Correct poor connections. Repair or replace damaged cables
	Data link not terminated with 120 Ohm termination plug	<ul style="list-style-type: none"> Insert termination plug in output jack of the last fixture on the link
	Incorrect addressing of the fixtures	<ul style="list-style-type: none"> Check address setting
	One of the fixtures is defective and disturbs data transmission on the link	<ul style="list-style-type: none"> Bypass one fixture at a time until normal operation is restored: unplug both connectors and connect them directly together. Have the defective fixture serviced by a qualified technician
	3-pin XLR Out on the fixtures does not match (pins 2 and 3 reversed)	<ul style="list-style-type: none"> Install a phase-reversing cable between the fixtures or swap pin 2 and 3 in the fixture that behaves erratically
No light or Lamp/LEDs cuts out intermittently	Fixture is too hot	<ul style="list-style-type: none"> Allow the fixture to cool down Clean the fan Make sure air vents in control panel and the front lens are not blocked Turn up the air conditioning
	LEDs damaged	<ul style="list-style-type: none"> Disconnect the fixture and return it to your dealer
	lamp damaged	<ul style="list-style-type: none"> Disconnect the fixture and replace the lamp
	The power supply settings do not match local AC voltage and frequency	<ul style="list-style-type: none"> Disconnect fixture. Check settings and correct if necessary

Product Specifications

Model:	Showtec Vintage Blaze'55
Input Voltage:	240V AC, 50/60Hz
Power consumption:	640W (full output)
DMX linking:	30 pcs
Power linking @240V:	3pcs
Protection rate:	IP-20
Dimensions:	650 x 505 x 435 mm incl. bracket (LxWxH)
Weight:	9,75 kg
Operating and Programming:	
Signal pin OUT:	Pin 1 (earth), pin 2 (-), pin 3 (+)
DMX Mode:	1, 2, 4 or 11 channels
Signal input:	3-pin & 5-pin DMX IN
Signal output:	3-pin & 5-pin DMX OUT
Electro-mechanical effects:	
Light source LEDs:	5050 RGB LEDs
Lampsocket:	GY9.5
Bulb:	HPL-565/750 (not included)
Dimmer:	On board
Dimmer curves:	Linear, S-Curve, Square, I-Square
Strobe:	0-20Hz
Housing:	Aluminum
DMX-control:	via standard DMX-controller
On Board:	LCD display for easy setup
Control:	Static color, DMX
Connections:	Powercon connectors (IN/OUT), 3-pin XLR (IN/OUT), 5-pin XLR (IN/OUT)
Cooling:	Convection
Lamp	
80812G HPL-575 GE (300hr; 3200K; 575W)*	
80812O HPL-575 Osram (300hr; 3200K; 575W)*	
80815G HPL-575 GE (1500hr; 3050K; 575W)*	
80816G HPL-750 GE(300hr; 3200K; 750W)*	
Max. ambient temperature t_a :	40°C
Max. housing temperature t_B :	80°C
Minimum distance:	
Minimum distance from flammable surfaces:	0,5 m
Minimum distance to lighted object:	1 m

*: Versions for other lamps may be produced. Please check the specification label on your product.

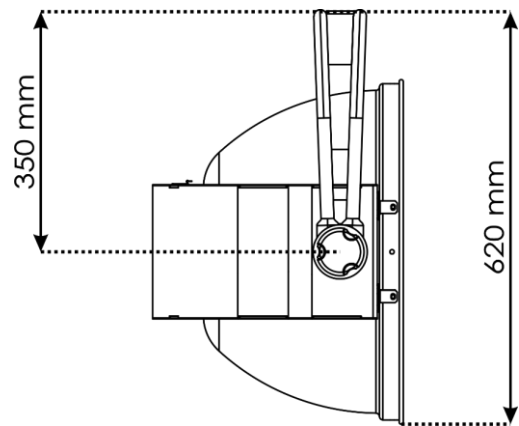
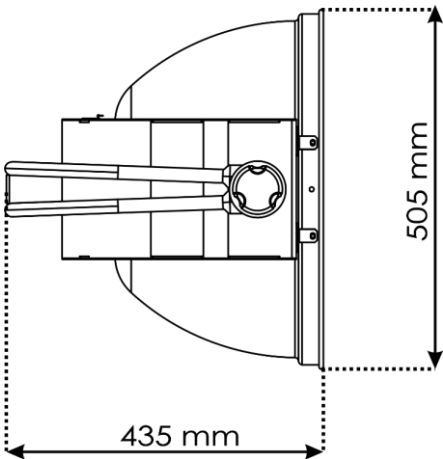
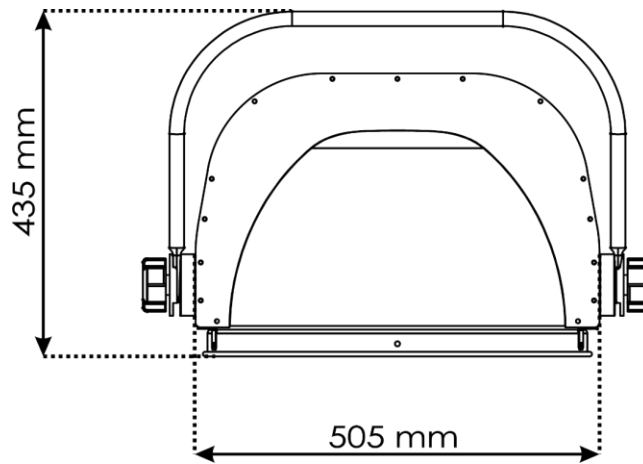
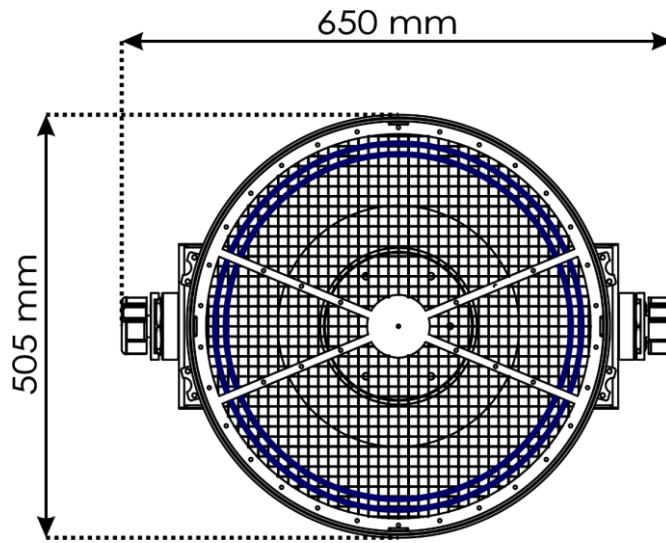
Design and product specifications are subject to change without prior notice.



Website: www.Showtec.info

Email: service@highlite.com

Dimensions





©2019 Showtec