



SPECIFICATIONS SBX220

FEATURES

- Highly compact companion subwoofer for all JFX products
- Unique baffle design and advanced transducers maximize LF "punch"
- Low frequency response to 32 Hz
- Reinforced cup for pole mounting JFX loudspeakers
- Foot recesses for stable ground stacking in multiples

DESCRIPTION

The SBX220 is a compact, high-powered subwoofer with an enclosure styled to complement JFX Series loudspeakers. It contains two advanced 12 inch woofers mounted in a "clam shell" driver arrangement, which provides tight driver coupling to increase output. A massive port radiates the considerable energy needed at the enclosure's tuning frequency to complement the JFX Series' high output.

The enclosure includes balance-optimized recessed handles and rubber feet. A reinforced pole-mount receptacle allows the SBX220 to double as a base for use with any JFX full range system. The grille is internally braced to withstand the rigors of portable use. The input connector for the SBX220 is a Neutrik NL4 using pins 2+/- . The input is looped through to a second NL4 for connection to additional SBX220s. Pins 1+/- can be used for connection and loop through of the signals for a companion full-range loudspeaker. This means a single loudspeaker cable to the SBX220 can power both the subwoofer and full-range loudspeakers.

APPLICATION

The SBX220 is intended primarily for portable applications, but it may readily be used in installations where space is restricted. At only 18 inches high, it is very effective in houses of worship, clubs, and theatres where subwoofers must be installed under a low stage.

PERFORMANCE

Frequency Response (1 W @ 1 m)	
±3 dB	38 Hz to 300 Hz
-10 dB	32 Hz
Axial Sensitivity (dB SPL, 1 W @ 1 m)	
Sub Bass	98
Impedance (Ohms)	
Sub Bass	4
Power Handling (Watts, continuous)	
Sub Bass	1400
Recommended High-Pass Frequency	
24dB/Octave	30 Hz
Calculated Maximum Output (dB SPL)	
Sub Bass Peak	135
Sub Bass Long Term	129



PHYSICAL

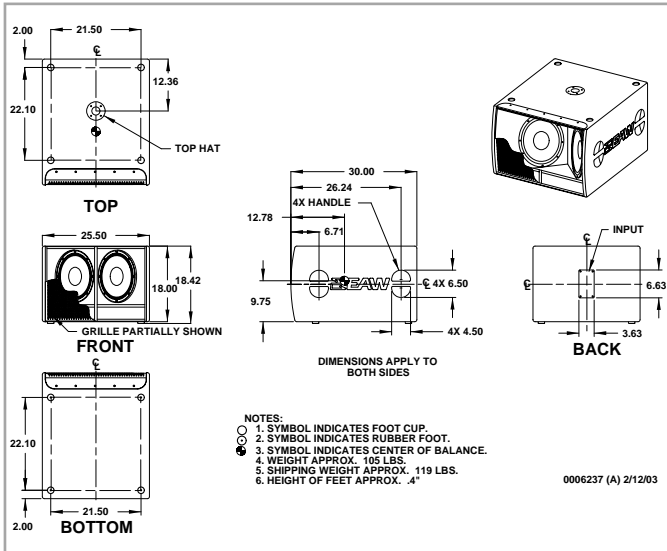
System Configuration	Dedicated subwoofer	
LF Subsystem	2x 12 in cones, vented	
Enclosure Materials	Exterior grade Baltic birch plywood	
Finish	Wear-resistant textured black paint	
Connectors	2x Neutrik NL4 Speakon	
Hardware	Pole mount cup for 1-3/8 in diameter pole (4 ft length recommended)	
Grille	Powder coated perforated steel, foam backed	
Dimensions	inches	millimeters
	Height	18.0 457
	Width	25.5 648
	Depth	30.0 762
Weights	pounds	kilograms
	Net Weight	105 47.7
	Shipping Weight	119 54.1
Companion Systems	Any JFX full range loudspeaker	



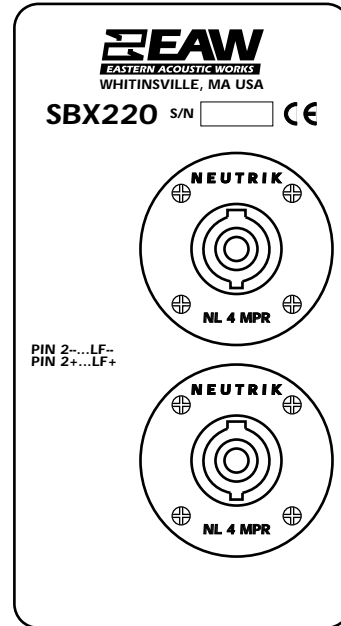


SPECIFICATIONS SBX220

DIMENSIONAL DRAWING



INPUT PANEL



Manufacturing tolerances are +/- 0.13 and +/- 1°

