

KF740 Specifications



FEATURES

- Extremely high output to size & weight ratio. Size and output capabilities allow it to be used in the widest variety of venues
- Exceptional pattern control due to symmetrical design, large horn(s) and Phase-Aligned™ woofers
- Incorporates latest EAW technologies including CSA™ and Focusing™ for outstanding mid and high frequency transient response and DynO™ dynamic optimization for unprecedented low frequency transient response and headroom
- Fully compatible with KF760 and KF730 systems

APPLICATIONS

Touring sound, houses of worship, sports arenas corporate A/V, performing arts centers, hotel ballrooms and live clubs.

DESCRIPTION

The KF740 line array system is optimized for the widest possible range of touring and installation applications. With output capabilities resembling the much larger KF760 and a footprint and weight similar to the KF730, the KF740 is the ideal solution for a wide variety of applications.

The KF740 delivers the premium, high output, 3-way performance that is the hallmark of the KF Series in an extremely compact and easy-to-use package. Dual 2.5-in voice coil HF compression drivers and dual 8-in Concentric Summation Array (CSA) loaded MF transducers are integrated through a common horn that occupies the entire face of the enclosure. The astounding pattern control offered by this configuration is extended down to 160 Hz as the MF devices are transitioned to a spaced array of four 2.5-in voice coil 10-in woofers. The pair of LF devices integrated within the MF/HF horn combined with the pair of side-mounted devices provides as much as 18 dB of off-axis rejection. EAW Focusing™ delivered via UX series processors precisely transitions from one system subsection to another while maintaining nearly perfect 90° control.

A full KF740 array provides seamless coverage from directly below the array to hundreds of feet in front. The vertical output can be tailored to match the requirements of any space by varying the splay angle as directed by EAW Resolution™ 2. The resultant configuration produces a coherent wave front of extended-range, high fidelity audio over the entire defined coverage area. The versatile KF740 can be integrated above KF730 modules or beneath KF760 modules to extend the reach of the range to any application imaginable. The impressive low frequency output and extension of the KF740 can be further enhanced by the use of the complementary SB2001 subwoofer. The truck-pack friendly KF740 is assembled in the USA with unrivaled construction details including cabinet grade exterior Baltic birch plywood enclosure, wear-resistant textured coating, powder-coated steel grille and extruded structural aluminum rigging.

Six year warranty

3-WAY FULL-RANGE LOUDSPEAKER

See *NOTES TABULAR DATA* for details

CONFIGURATION

Subsystem:

	Transducer	Loading
LF	4x 10-in cone	Sealed, Phase Aligned
MF	2x 8-in cone	Horn-loaded w/CSA™ Aperture
HF	2x 1.4-in exit, 2.5-in voice coil compression driver	Horn-loaded

Operating Mode:

	Amplifier Channels	External Signal Processing
	Tri-amp LF, MF, HF	DSP w/EAW Focusing

PERFORMANCE

Operating Range: 50 Hz to 19 kHz

Nominal Beamwidth:

Horz 90°

Vert 12°

Axial Sensitivity (whole space SPL):

LF	94 dB	50 Hz to 730 kHz
MF	106 dB	150 Hz to 1550 Hz
HF	111 dB	1300 Hz to 19 kHz

Input Impedance (ohms):

	Nominal	Minimum
LF	2x 8 (4)	4 @ 214 Hz
MF	8	8 @ 1372 Hz
HF	8	6.7 @ 5620 Hz

High Pass Filter: High Pass=>50Hz 24dB/octave Butterworth

Accelerated Life Test:

LF	74.8 V	2x 700 W @ 8 ohm (1400 W @ 4 ohm)
MF	70.7 V	625 W @ 8 ohm
HF	40 V	200 W @ 8 ohm

Calculated Axial Output Limit (whole space SPL):

	Average	Peak
LF	125 dB	131 dB
MF	134 dB	140 dB
HF	134 dB	140 dB

ORDERING DATA

Description

EAW KF740 3-way Full-Range Loudspeaker Black 0033033

Optional Accessories

KF740 flybar, FB174	0033126
KF740 pallet, PLT74K	0033466
KF740/KF730 to KF760 adapter bar, AB7674-73	2034117
KF740 to KF730 adapter bar, AB7473	0032870

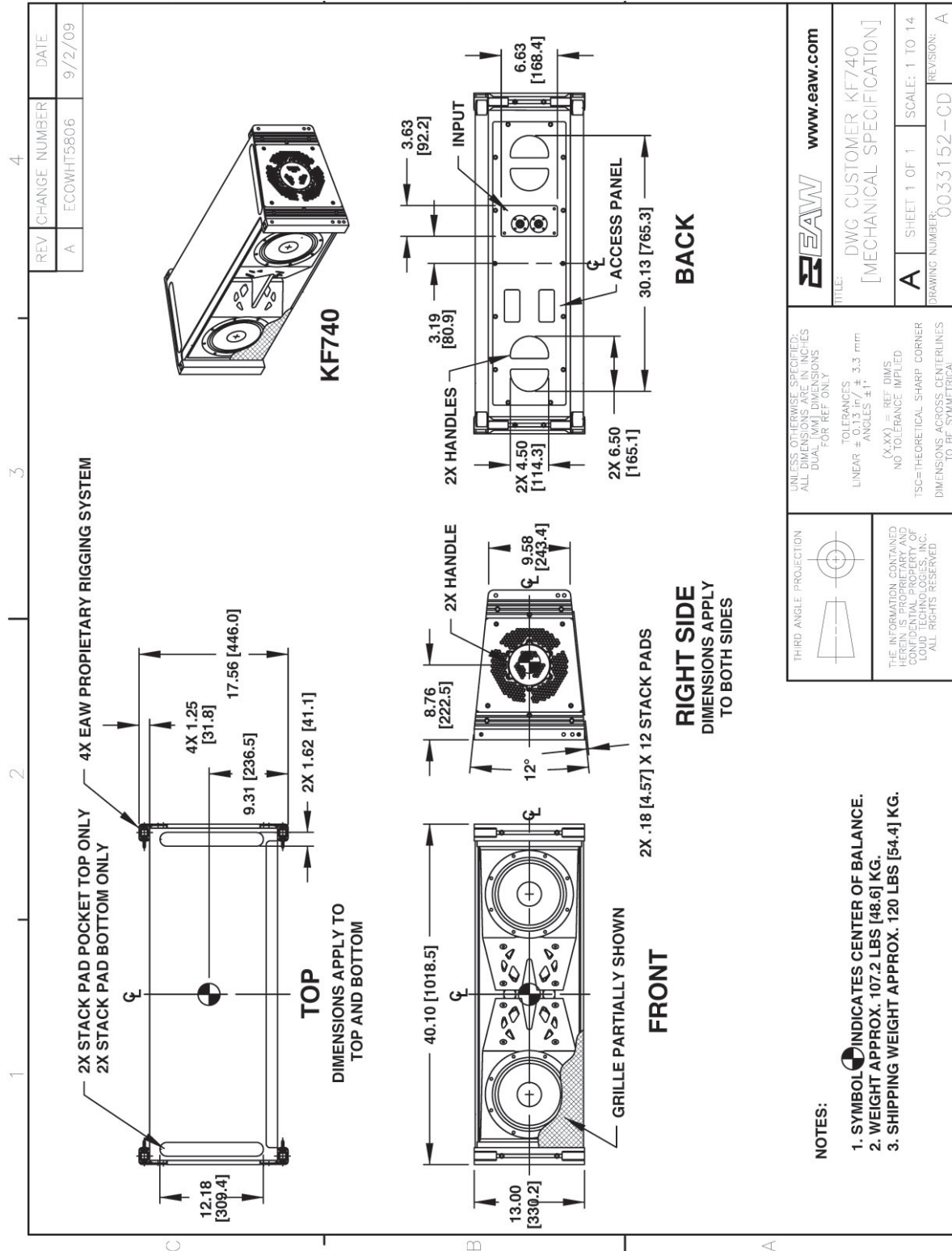
KF LINE SOURCE VOICING UPDATE Leveraging data and experience from development of Adaptive Systems™ updated Greybox™ processing enhances performance of KF740, incorporating improved equalization, crossover, Focusing™ and limiting parameters for enhanced clarity and tonal balance without physical changes. The latest update also brings EAW DynO™ dynamic optimization to the KF740 for increased system protection at high levels, and unprecedented low-frequency headroom. Updated Greyboxes™ are available on the EAW website, www.eaw.com



KF740 Specifications

ENCLOSURE

Material	Exterior-grade Baltic birch plywood
Finish	Wear resistant textured black paint
Grille	Powder-coated perforated steel



NOTE: This drawing has been reduced. Do not scale.

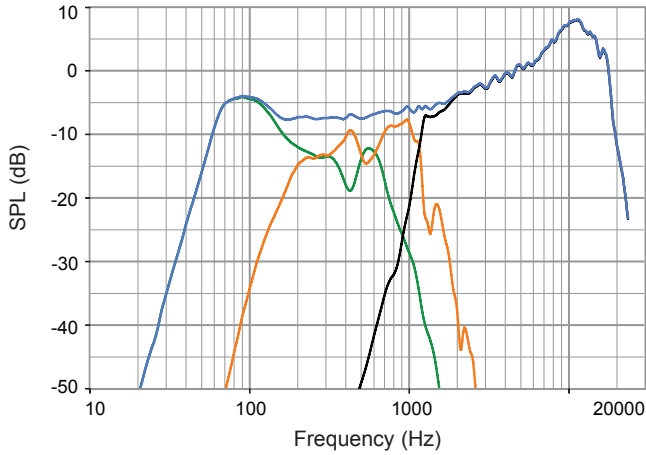
KF740 Specifications

PERFORMANCE DATA

See *NOTES GRAPHIC DATA* for details

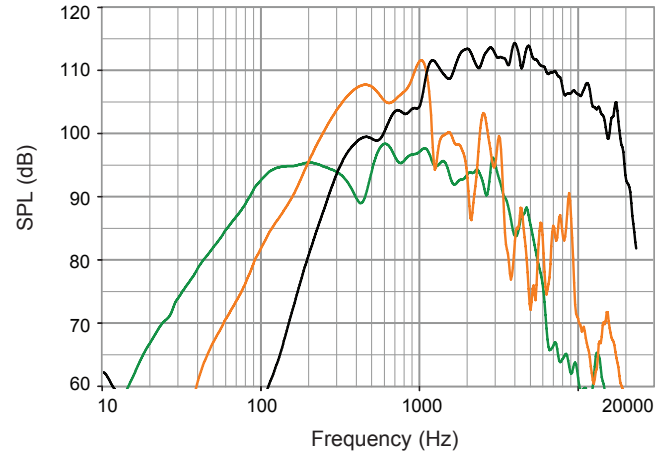
Frequency Response: Processed

LF = green, MF = orange, HF = black, Complete = blue



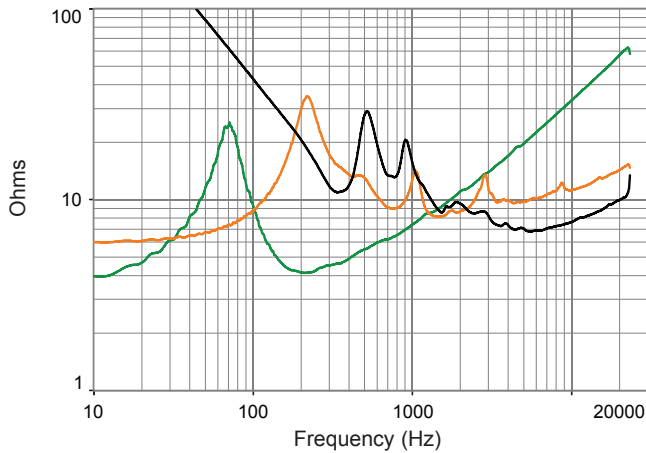
Frequency Response: Unprocessed

LF = green, MF = orange, HF = black



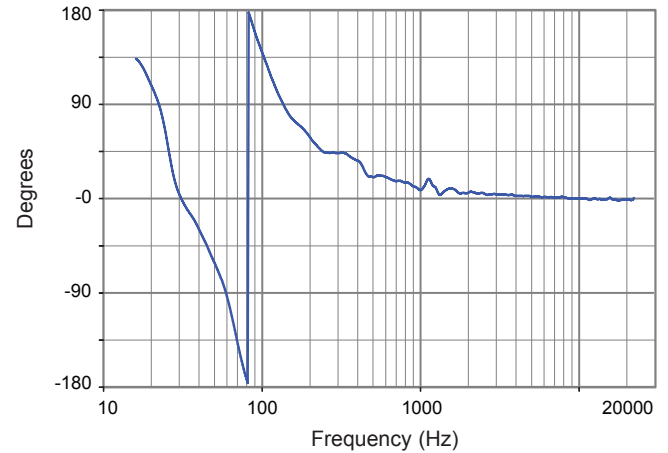
Impedance

LF = green, MF = orange, HF = black



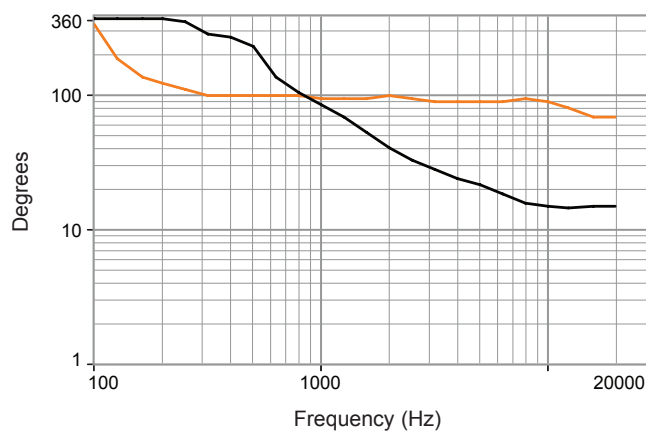
Phase Linearity

Complete = blue



Beamwidth

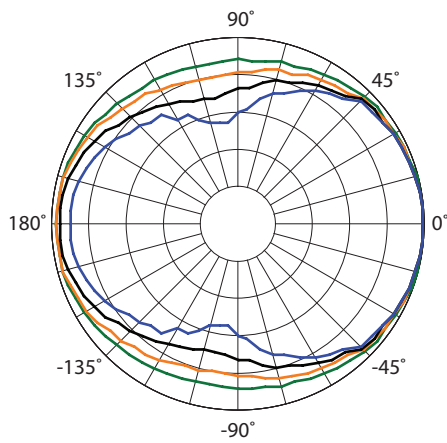
Horizontal = orange Vertical = black



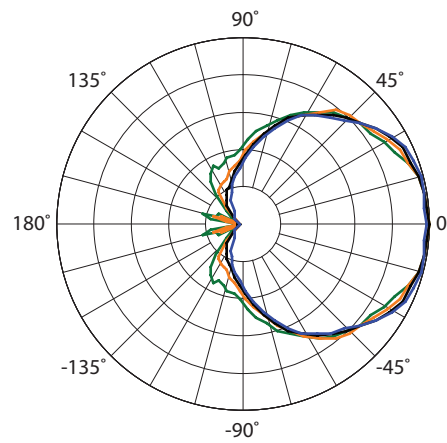
KF740 Specifications

HORIZONTAL POLAR DATA

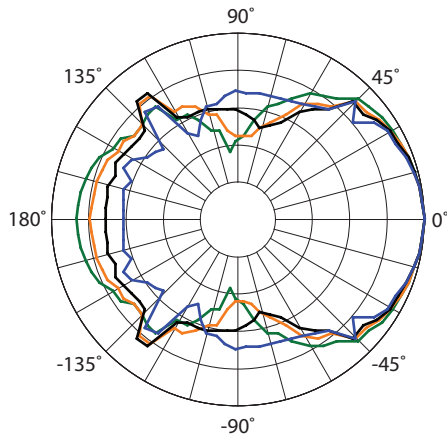
See NOTES GRAPHIC DATA for details



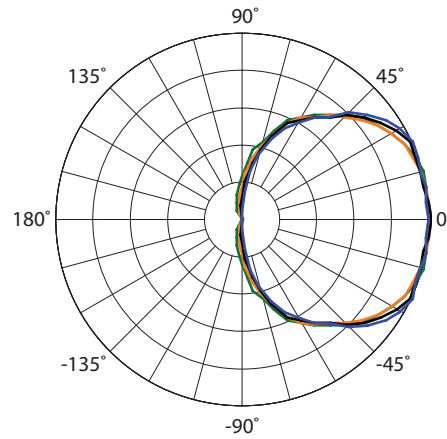
- 100Hz
- 125Hz
- 160Hz
- 200Hz



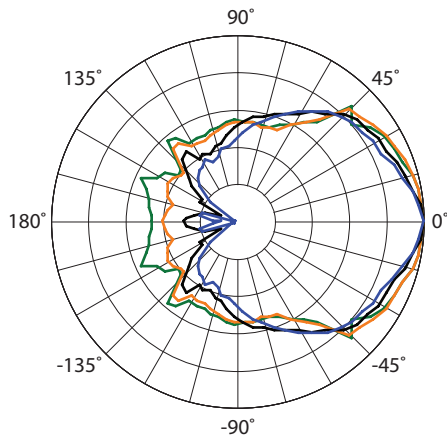
- 1600Hz
- 2000Hz
- 2500Hz
- 3150Hz



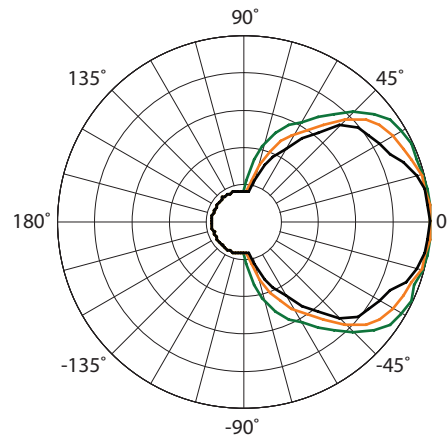
- 250Hz
- 315Hz
- 400Hz
- 500Hz



- 4000Hz
- 5000Hz
- 6300Hz
- 8000Hz



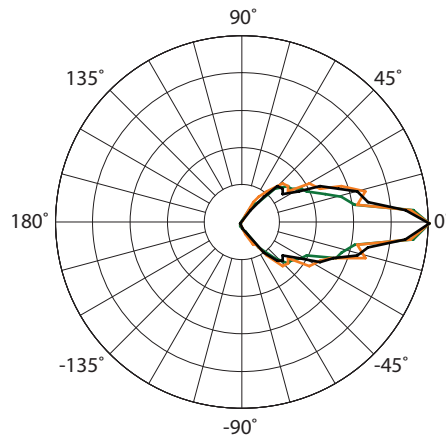
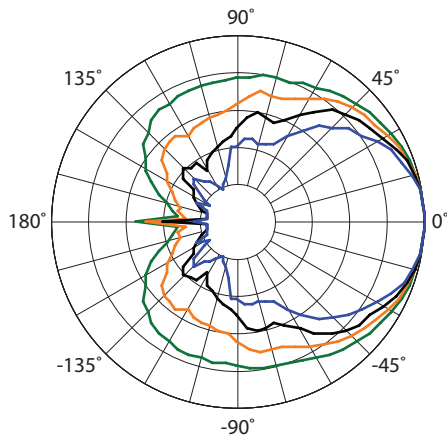
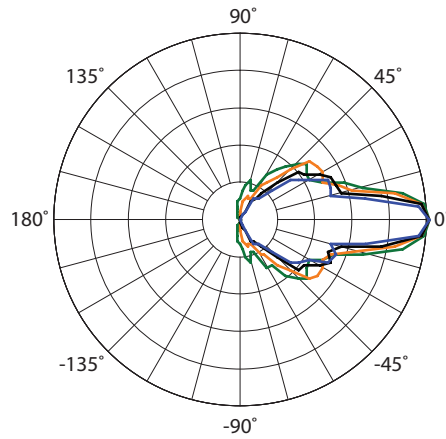
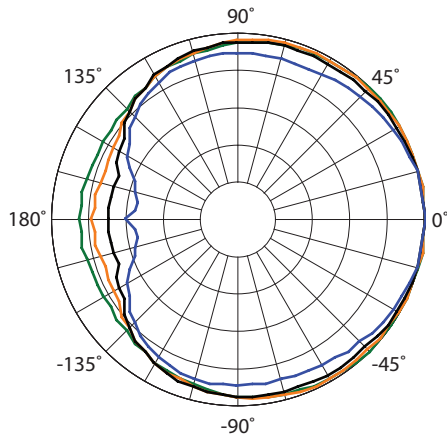
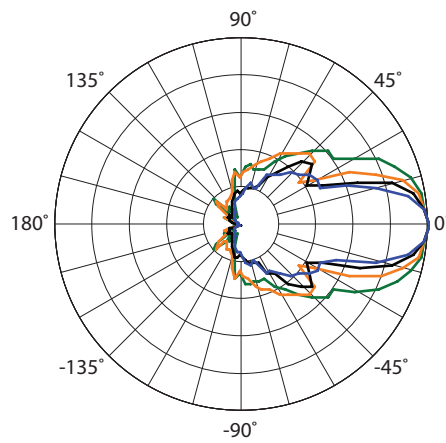
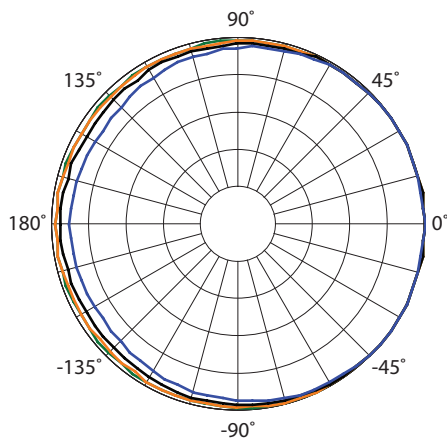
- 630Hz
- 800Hz
- 1000Hz
- 1250Hz



- 10000Hz
- 12500Hz
- 16000Hz

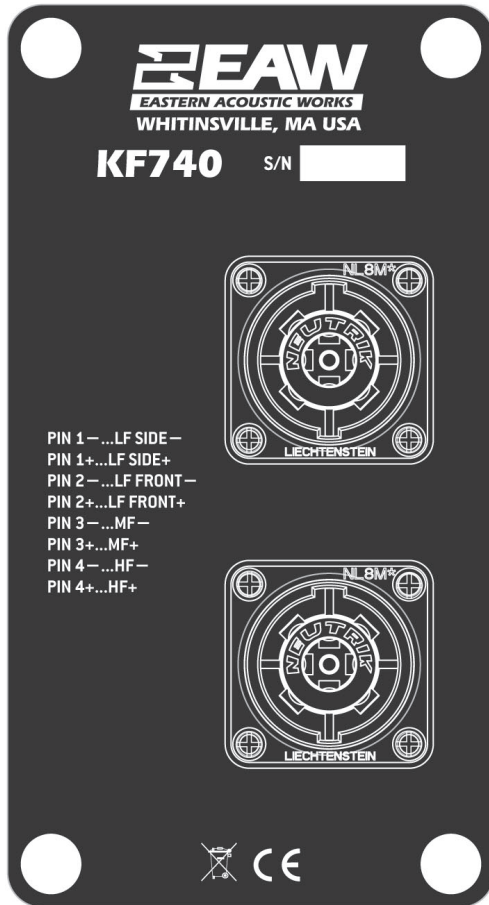
VERTICAL POLAR DATA

See *NOTES GRAPHIC DATA* for details

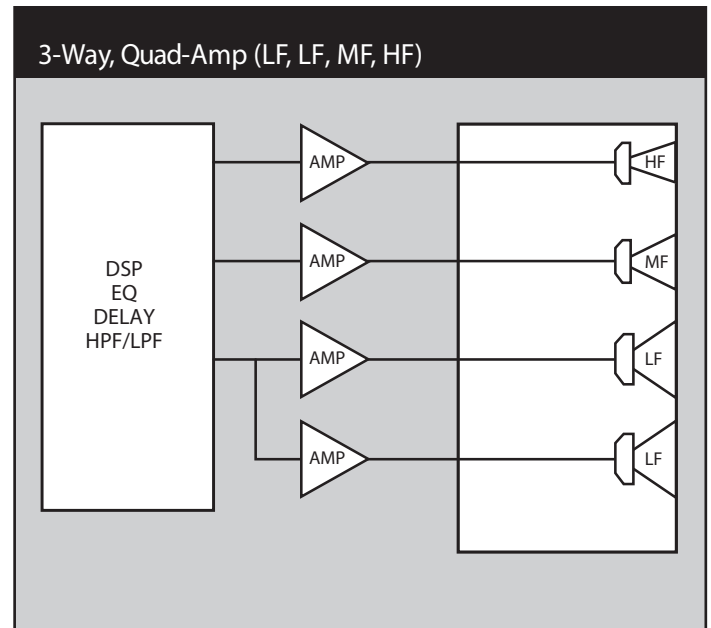


KF740 Specifications

INPUT PANEL



SIGNAL DIAGRAM



LEGEND

- DSP:** EAW UX8800 Digital Signal Processor.
- HPF:** High Pass Filter for crossover or Recommended High Pass Filter.
- LPF:** Low Pass Filter for crossover.
- LF/MF/HF:** Low Frequency / Mid Frequency / High Frequency.
- AMP:** User-supplied Power Amplifier.

NOTES

TABULAR DATA

1. **Measurement/Data Processing Systems:** Primary - FChart; proprietary EAW software; Secondary - Brüel & Kjær 2012.
2. **Microphone Systems:** Earthworks M30; Brüel & Kjær 4133
3. **Measurements:** Dual channel FFT; length: 32 768 samples; sample rate: 48 kHz; logarithmic sine wave sweep.
4. **Measurement System Qualification** (includes all uncertainties): SPL: accuracy +/-0.2 dB @ 1 kHz, precision +/-0.5 dB 20 Hz to 20 kHz, resolution 0.05 dB; Frequency: accuracy +/-1 %, precision +/-0.1 Hz, resolution the larger of 1.5 Hz or 1/48 octave; Time: accuracy +/-10.4 µs, precision +/-0.5 µs, resolution 10.4 µs; Angular: accuracy +/-1°, precision +/-0.5°, resolution 0.5°.
5. **Environment:** Measurements time-windowed and processed to eliminate room effects, approximating an anechoic environment. Data processed as anechoic or fractional space, as noted.
6. **Measurement Distance:** 7.46 m. Acoustic responses represent complex summation of the subsystems at 20 m. SPL is referenced to other distances using the Inverse Square Law.
7. **Enclosure Orientation:** For beamwidth and polar specifications, as shown in Mechanical Specification drawing.
8. **Volts:** Measured rms value of the test signal.
9. **Watts:** Per audio industry practice, "loudspeaker watts" are calculated as voltage squared divided by rated nominal impedance. Thus, these are not True Watt units of energy as defined by International Standard.
10. **SPL:** (Sound Pressure Level) Equivalent to the average level of a signal referenced to 0 dB SPL = 20 microPascals.
11. **Subsystem:** This lists the transducer(s) and their acoustic loading for each passband. Sub = Subwoofer, LF = Low Frequency, MF = Mid Frequency, HF = High Frequency.
12. **Operating Mode:** User selectable configurations. Between system elements, a comma (,) = separate amplifier channels; a slash (/) = single amplifier channel. DSP = Digital Signal Processor.
IMPORTANT: To achieve the specified performance, the listed external signal processing must be used with EAW-provided settings.
13. **Operating Range:** Range where the processed Frequency Response stays within -10 dB SPL of the power averaged SPL within this range; measured on the geometric axis. Narrow band dips are accepted.
14. **Nominal Beamwidth:** Design angle for the -6 dB SPL points, referenced to 0 dB SPL as the highest level.
15. **Axial Sensitivity:** Power averaged SPL over the Operating Range with an input voltage that would produce 1 W at the nominal impedance; measured with no external processing on the geometric axis, referenced to 1 m.
16. **Nominal Impedance:** Selected 4, 8, or 16 ohm resistance such that the minimum impedance point is no more than 20% below this resistance over the Operating Range.
17. **Accelerated Life Test:** Maximum test input voltage applied with an EIA-426B defined spectrum; measured with recommended signal processing and Recommended Protection Filter.
18. **Calculated Axial Output Limit:** Highest average and peak SPLs possible during the Accelerated Life Test. The Peak SPL represents the 2:1 (6 dB) crest factor of the Life Test signal.
19. **High Pass Filter:** This helps protect the loudspeaker from excessive input signal levels at frequencies below the Operating Range.

GRAPHIC DATA

1. **Resolution:** To remove insignificant fine details, 1/12 octave cepstral smoothing was applied to acoustic frequency responses and 1/3 octave cepstral smoothing was applied to the beamwidth and impedance data. Other graphs are plotted using raw data.
2. **Frequency Responses:** Variation in acoustic output level with frequency for a constant input signal. Processed: normalized to 0 dB SPL. Unprocessed inputs: 2V (4 ohm nominal impedance), 2.83V (8 ohm nominal impedance), or 4V (16 ohm nominal impedance) referenced to a distance of 1 m.
3. **Processor Response:** The variation in output level with frequency for a constant input signal of 0.775 V = 0 dB reference.
4. **Beamwidth:** Average angle for each 1/3 octave frequency band where, starting from the rear of the loudspeaker, the output first reaches -6 dB SPL referenced to 0 dB SPL as the highest level. This method means the output may drop below -6 dB SPL within the beamwidth angle.
5. **Impedance:** Variation in impedance magnitude, in ohms, with frequency without regard to voltage/current phase. This means the impedance values may not be used to calculate True Watts (see 9 above).
6. **Polar Data:** Horizontal and vertical polar responses for each 1/3 octave frequency band 100 Hz to 16 kHz or Operating Range.